

RCB0808P SERIES ~ Radial Power Inductors



PART NUMBERING SYSTEM

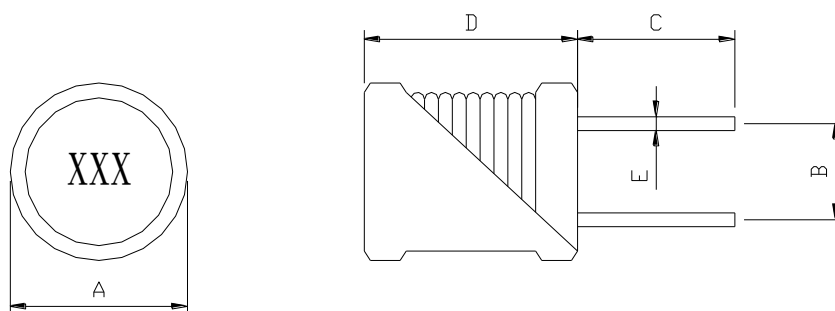
RCB	0 8 0 8 P	—	2 R 2 M	—	LF
TYPE	DIMENSIONS		INDUCTANCE		LEAD FREE

U : UL Tube

P : PVC Tube

SHAPES AND DIMENSIONS

UNIT : mm



A=8.8 Max. B=5.0±1.0 C=5.0±1.0 D=8.8 Max. E=0.65±0.1

STRUCTURAL DIAGRAM :

COMPONENT	MATERIALS
1.Core	Ferrite core
2.Wire	Polyurethane enameled copper wires
3.Lead wire	Tinned copper wires
4.Tube	Heat shrinkable tube, PVC or UL
5.Glue	Epoxy resin



RCB0808P SERIES ~ Radial Power Inductors



SPECIFICATION TABLE

PART NUMBER	INDUCTANCE (μ H)	Q (min)	DCR (Ω) (max)	IDC (A) (max)	SRF(MHz) (min)	TEST FREQ. (f)
RCB0808-2R2M-LF	2.2	10	0.015	5.6	45	1KHz
RCB0808-3R3M-LF	3.3	10	0.017	4.5	34	1KHz
RCB0808-4R7M-LF	4.7	10	0.021	3.8	27	1KHz
RCB0808-6R8M-LF	6.8	10	0.025	3.2	22	1KHz
RCB0808-100K-LF	10	20	0.031	2.6	17	1KHz
RCB0808-150K-LF	15	20	0.042	2.1	13	1KHz
RCB0808-220K-LF	22	20	0.070	1.7	10	1KHz
RCB0808-330K-LF	33	20	0.092	1.4	8	1KHz
RCB0808-470K-LF	47	20	0.13	1.2	6.5	1KHz
RCB0808-680K-LF	68	20	0.16	1.0	5.4	1KHz
RCB0808-101K-LF	100	20	0.25	0.8	4.4	1KHz
RCB0808-151K-LF	150	20	0.40	0.67	3.6	1KHz
RCB0808-221K-LF	220	15	0.53	0.54	2.9	1KHz
RCB0808-331K-LF	330	15	0.78	0.45	2.4	1KHz
RCB0808-471K-LF	470	15	1.0	0.38	2.0	1KHz
RCB0808-681K-LF	680	15	1.5	0.32	1.6	1KHz
RCB0808-102K-LF	1000	30	2.2	0.26	1.3	1KHz
RCB0808-152K-LF	1500	30	3.5	0.21	1.1	1KHz
RCB0808-222K-LF	2200	50	6.4	0.17	0.88	1KHz
RCB0808-332K-LF	3300	50	8.5	0.14	0.71	1KHz
RCB0808-472K-LF	4700	50	12.2	0.15	0.68	1KHz

- * Inductance Tolerance: K=10% ; M=20%
- * Current to cause 10% Max. inductance drop.
- * Operating temperature range -40°C to +85°C
- * Electrical specifications at 25°C